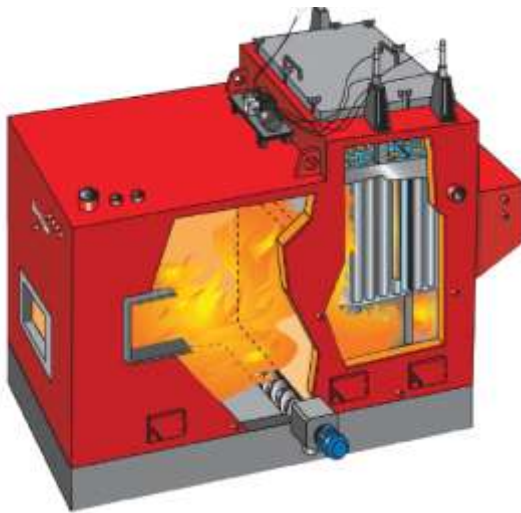


Combustion Plant – Osby Parca



Osby Parca boilers (of Sweden) are supplied by Nu Way Energy NZ Ltd.

Osby Parca offers an extensive range of biomass boiler solutions from 200kW - 12.000kW. Depending on customer requirements and preferences, Osby Parca boilers can be fired with either dry (<35% moisture content) or moist fuel (35%-55% moisture content).

- **Address**- Unit 6-123 Cryers Road - _East Tamaki –Auckland
- **Phone Number** -09-=274-5111
- **Email Address** – Sales @nuwayenergy.co.nz
- **Contact** –Paul Bowie or Mark Putnam.
- **Further Details** – see this brochure for [the Osby Parca boiler](#) for more details.

See also:

- [E.On District Heating – Case Study](#)
- [Gothenburg’s landvetter airport](#)
- [Prefab Boiler Rooms – Info Sheet](#)